



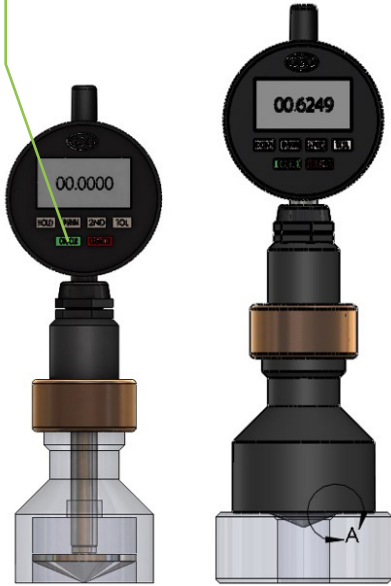
Chamfer Gages

www.gsgage.com

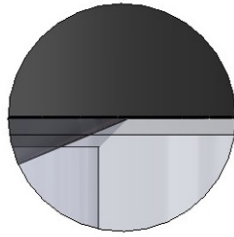


62/322,439

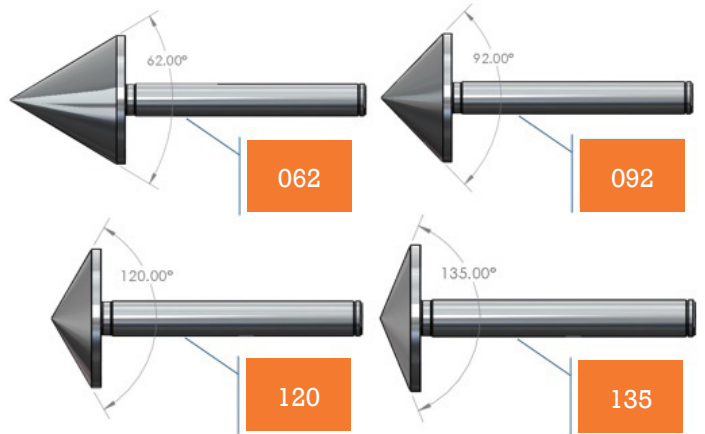
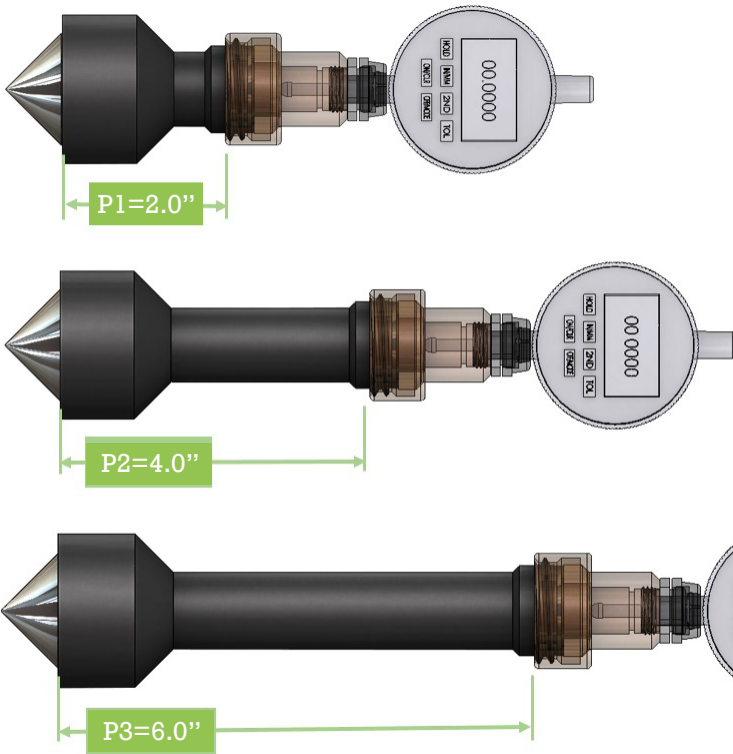
Place gage anvil on flat surface & press "ON/CLR" button.



- Ready: Place gage firmly on a flat surface
- Set: Press "ON/CLR"
- Go: Place gage in hole feature (Large end size displays on screen)



DETAIL A
SCALE 2:1



Custom Angles Available



Upper Body Assembly



Fits "all" anvil attachments

Includes:

- 1 - GSG Indicator
- 1 - Collet Assy
- 1 - Attachment Housing
- 1 - Thumb Ring

GSG Digital Chamfer (P/N Q3110-GSG) Indicator features:

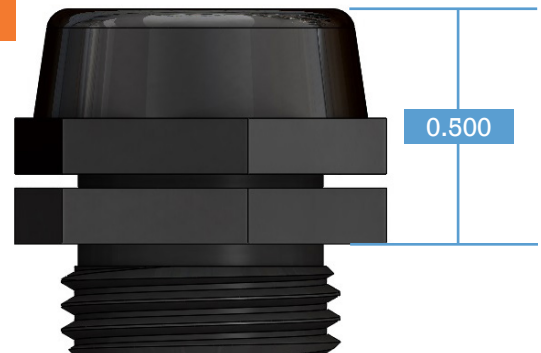
- Hard programmed ratio measuring mode
- SPC cable USB, MTI, RS232
- Travel reverse
- Auto off
- Rotating Bezel
- Internal & external serial numbers
- T.I.R measuring with low & high storage recall
- Power with batteries
- Additional power options through AC jack or data output
- User tolerance settings (high & low)
- Up to 4 user changeable resolutions
- Inch/metric display conversion
- Large LCD display
- Maximum reading hold
- Display/freeze reading hold
- Minimum reading hold
- Extra large number display

GSG "Low Profile" Stem Collet

Accepts 0.375 indicator stems



Lowest profile on the market



We Calibrate Our Chamfer Gages

Send gages for periodic calibration to ensure accuracy. Call 1-860-537-7340 or email sales@gg.gsgage.com for information.